

## Nybro Junction Y120°

Surface Ceiling Downlight 60x80mm.

Project :	Location :	Type :	Quantity :
Note :			

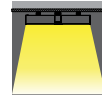


### Luminaire Structure

Angles and Intersection joint units for the Nybro system Style Nybro in creative patterns or to follow the building form.



### Light Symbol

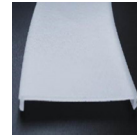


Downlight Surface ceiling

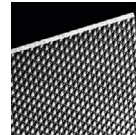
### Dimming Type

ND DA

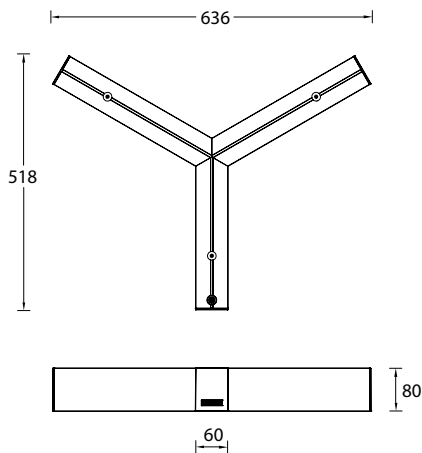
### Optional diffuser



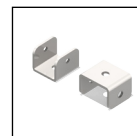
(- O)  
Opal diffuser  
UGR <19



(- P)  
Micro-prismatic diffuser  
UGR <13



### Accessory



Bracket For  
Ceilings  
(A81281)



Continuous  
coupler bracket  
(A81581)

### Colour Code



#### HEADQUARTERS EUROPE

Ligman Europe s.r.o.  
VGP Park Ústí nad Labem, P2 | Přestanov 120 | 40317 Přestanov |  
Czech Republic | Tel. +420 477 07 1500 | sales.cz@ligman.com  
www.ligman.com

#### HEADQUARTERS THAILAND

Ligman Lighting Co., Ltd.  
17/2 | Moo 4 | Monthong | Bangnampreaw | Chachoengsao 24150 |  
Thailand | Tel. : +66 (2) 7339140 | info@ligman.com

Ligman Ltd.  
Victory Way | Crossways | Dartford DA2 6QD |  
United Kingdom | Tel +66 2 733 9140 | Fax +66 2 733 9153 |  
sales.uk@ligman.com

Technical amendments reserved.

## Nybro Junction Y120°

Surface Ceiling Downlight 60x80mm.

<b>Project :</b>	<b>Location :</b>	<b>Type :</b>	<b>Quantity :</b>
<b>Note :</b>			

### Ordering guide sample

NYB-81031 - O - W30 - DA - A81281 - A81581  
Diffuser
Colour
Dim Type
Accessory 1
Accessory 2

**Diffuser for light output control**  
 O – Opal diffuser UGR <19  
 P – Micro-prismatic UGR <13

**Colour Temperature**  
 W27 – Warm 2700K  
 W30 – Warm white 3000K  
 W40 – Neutral white 4000K  
 W50 – Cool white 5000K

**Dimming Type**  
 ND – Non dimmable  
 DA – DALI dimmable

### Product Code

Model No.	Lamp	System Power W	Lumen lm	Colour	EEC	Weight kg
-----------	------	----------------	----------	--------	-----	-----------

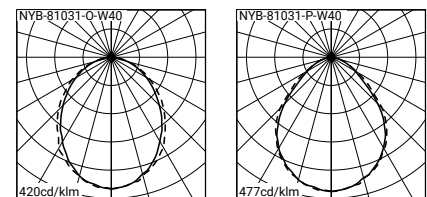
**SURFACE CEILING MOUNTED · DOWNLIGHT · 60x80MM. · DIMMING TYPE · OPAL DIFFUSER**

NYB-81031 - O - W27	120 LED	16	1660	2700K	A++	3.50
NYB-81031 - O - W30	120 LED	16	1736	3000K	A++	3.50
NYB-81031 - O - W40	120 LED	16	1812	4000K	A++	3.50
NYB-81031 - O - W50	120 LED	16	1887	5000K	A++	3.50
NYB-81032 - O - W27	120 LED	24	2330	2700K	A++	3.50
NYB-81032 - O - W30	120 LED	24	2437	3000K	A++	3.50
NYB-81032 - O - W40	120 LED	24	2544	4000K	A++	3.50
NYB-81032 - O - W50	120 LED	24	2650	5000K	A++	3.50
NYB-81033 - O - W27	120 LED	36	3295	2700K	A++	3.50
NYB-81033 - O - W30	120 LED	36	3446	3000K	A++	3.50
NYB-81033 - O - W40	120 LED	36	3597	4000K	A++	3.50
NYB-81033 - O - W50	120 LED	36	3747	5000K	A++	3.50

**SURFACE CEILING MOUNTED · DOWNLIGHT · 60x80MM. · DIMMING TYPE · MICRO-PRISMATIC DIFFUSER**

NYB-81031 - P - W27	120 LED	16	1415	2700K	A++	3.50
NYB-81031 - P - W30	120 LED	16	1480	3000K	A++	3.50
NYB-81031 - P - W40	120 LED	16	1545	4000K	A++	3.50
NYB-81031 - P - W50	120 LED	16	1609	5000K	A++	3.50
NYB-81032 - P - W27	120 LED	24	1986	2700K	A++	3.50
NYB-81032 - P - W30	120 LED	24	2078	3000K	A++	3.50
NYB-81032 - P - W40	120 LED	24	2169	4000K	A++	3.50
NYB-81032 - P - W50	120 LED	24	2259	5000K	A++	3.50
NYB-81033 - P - W27	120 LED	36	2809	2700K	A++	3.50
NYB-81033 - P - W30	120 LED	36	2938	3000K	A++	3.50
NYB-81033 - P - W40	120 LED	36	3066	4000K	A++	3.50
NYB-81033 - P - W50	120 LED	36	3194	5000K	A++	3.50

### Photometric



\* Installation manual available online at [www.ligman.com](http://www.ligman.com).

\* Luminous flux and system power are rated from absolute photometry according to LM-79-08 standard for LED luminaire.  
 \* Photometric diagram for standard non-accessory, please consult the factory in case accessory option.

#### HEADQUARTERS EUROPE

Ligman Europe s.r.o.  
 VGP Park Ústí nad Labem, P2 | Přestanov 120 | 40317 Přestanov |  
 Czech Republic | Tel. +420 477 07 1500 | [sales.cz@ligman.com](mailto:sales.cz@ligman.com)  
[www.ligman.com](http://www.ligman.com)

#### HEADQUARTERS THAILAND

Ligman Lighting Co.,Ltd.  
 17/2 | Moo 4 | Monthong | Bangnampreaw | Chachoengsao 24150 |  
 Thailand | Tel: +66 (2) 7339140 | [info@ligman.com](mailto:info@ligman.com)

Ligman Ltd.  
 Victory Way | Crossways | Dartford DA2 6QD |  
 United Kingdom | Tel +66 2 733 9140 | Fax +66 2 733 9153 |  
[sales.uk@ligman.com](mailto:sales.uk@ligman.com)

Technical amendments reserved.